

This catalog covers:
FE250D-□S52

GRID NO. This grid covers:
A-01 TITLE

PARTS CATALOG

4-STROKE ENGINE

FE250D

PRODUCT CODE	NOTE
FE250D-AS52	STD

PARTS CATALOG INTRODUCTION

This parts catalog lists parts and sub-assemblies provided as service parts.

When it becomes necessary to replace parts, always use KAWASAKI GENUINE PARTS which have passed strict inspection which guarantees quality and performance.

1. HOW TO ORDER PARTS

- When ordering the parts, be sure to use the parts catalog corresponding to the product code. Check the product revision codes on the product and the catalog.
Product Code (example) : FA130D-AA00
Product Revision Code
- Specify the part code (all digits) exactly as listed in this catalog on your parts order.
- The parts not shown in the illustrations of this catalog are not sold separately; only the complete units or next higher assemblies illustrated are supplied as the service parts.

2. EXPLANATION OF PARTS CATALOG FORMAT

Ref. No.	Part No.	Description	Quantity	
			A	B
11004	11004-7001	GASKET-HEAD	2	2
11008	11008-7001	HEAD-COMP-CYLINDER#1	1	1
11008A	11008-7002	HEAD-COMP-CYLINDER#2	1	1
11022	11022-7001	CASE-ROCKER	2	2
11060	11060-7001	GASKET,ROCKER CASE	2	2
11060A	11060-7008	GASKET,CRANKCASE COVER	1	1
11060B	11060-7015	GASKET,BREATHER	1	1
13271	13271-7016	PLATE	1	1
13271A	13271-7016	PLATE	1	1
14690	14690-7001	COVER,BREATHER	1	1
49015	49015-6215	COVER,CRANKCASE	1	1
49109	49109-7002	ELEMENT-BREATHER	1	1
49120	49120-6119	CRANKCASE-COMP	1	1
92033	92033-7003	RING-SNAP	2	2
92043	92043-7001	PIN	6	6
92049	92049-7001	SEAL-OIL	4	4
92049A	92049-7002	SEAL-OIL	1	1
92049B	92049-7004	SEAL-OIL	1	1
92049C	92049-7005	SEAL-OIL	1	1
130	130B0612	BOLT-FLANGED	4	4
130A	130B0640	BOLT-FLANGED	4	4
130B	130T0650	BOLT-FLANGED	17	17
130C	130T0875	BOLT-FLANGED	2	2
172	172G0818	BOLT-STUD	4	4

1) Product Code

This code describes the product code covered by this catalog. The product revision code, which is a part of the product code, is omitted.

2) Part Group Title

This title is the representative name for the group of parts illustrated on the page.

3) Reference Number

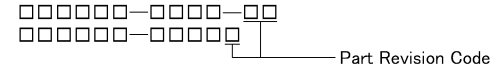
The reference numbers are shown on the illustration and the list as the link between them.

4) Part Number

This is the key of your parts ordering.

Three kinds of part number are used in this catalog.

a. Structure 1

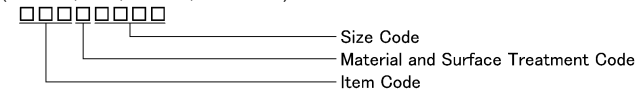


b. Structure 2



c. Standard Hardware Number

(for bolts, nuts, washer, or the like)



5) Description and Additional Information

The part name, the location, the size, and the serial number as additional information, etc. are described here. Use them to find out and check the part required.

When a part number is changed without change of the product revision code and the changed parts are not interchangeable, the serial number of the product is noted as follows;

- (FA130 - 100001) : Affected units are from beginning of the product of the product code up to and including this serial number.
- (FA130 - 100002 -) : Affected units are from this serial number and above.
- (FA130 - 100002 - FA130 - 110001) : Affected units are in this serial number range.

6) Quantity

The figure shows quantity of the part required at the indicated position on the illustration and for the specified product revision code.

The asterisk (*) on this column means the part can be used as the substitute on the product and is supplied until the stock is exhausted.

Note:Some small parts will be supplied by units.

Example: If six (6) bolts are ordered and the minimum quantity per unit is five (5), two (2), units of the bolt will be delivered.

7) Product Revision Code

This Code indicates an important change which affects the service parts interchangeability.

3. ABBREVIATIONS

#.....Number	FR.....Front	RH.....Right Hand
&.....And	G.....Gram	RPM.....Revolutions Per Minute
(+).....Plus	HEX.....Hexagonal	RR.....Rear
(-).....Minus	ID=.....Inside Diameter	STD.....Standard
2ND.....Second	IN.....Inch	T.....Teeth
3RD.....Third	L=.....Length	T=.....Thickness
4TH.....Fourth	LH.....Left Hand	U/S.....Under Size
A.....Ampere	LWR.....Lower	UPP.....Upper
AR.....As Required	MM.....Millimeter	V.....Volt
ASSY.....Assembly	O/S.....Over Size	W.....Watt
CNT.....Center	OD=.....Outside Diameter	
COMP.....Complete	REF.....Reference	

This catalog covers:

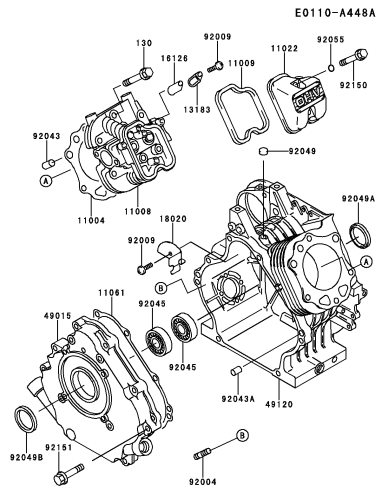
FE250D- □ S52

GRID NO.

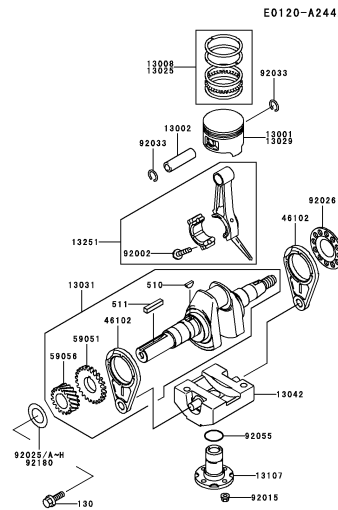
B-01

This grid covers:

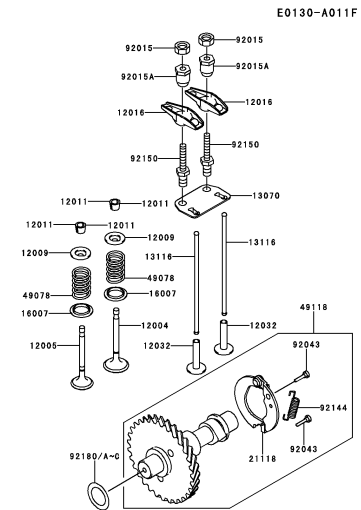
PICTORIAL INDEX



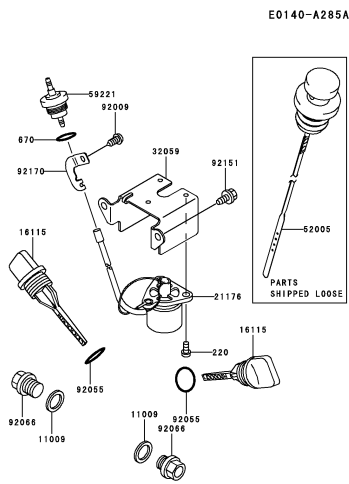
B-03 CYLINDER/CRANKCASE



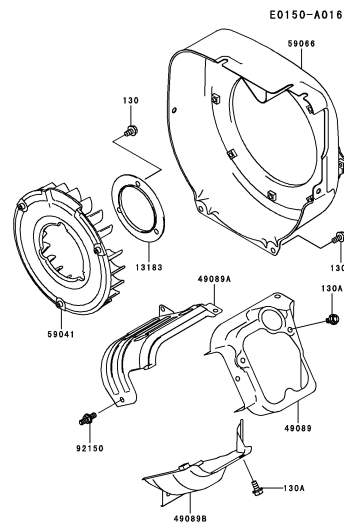
B-04 PISTON/CRANKSHAFT



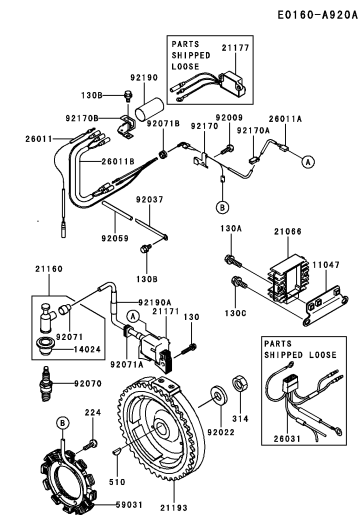
B-05 VALVE/CAMSHAFT



B-06 LUBRICATION-EQUIPMENT



B-07 COOLING-EQUIPMENT



B-08 ELECTRIC-EQUIPMENT

This catalog covers:

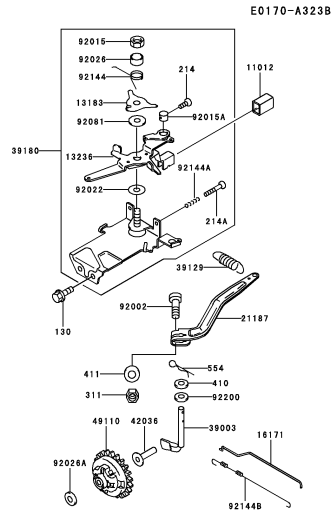
FE250D- □ S52

GRID NO.

B-02

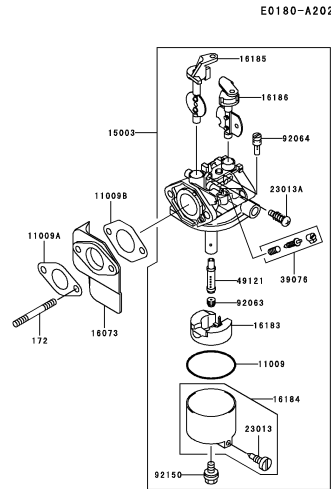
This grid covers:

PICTORIAL INDEX



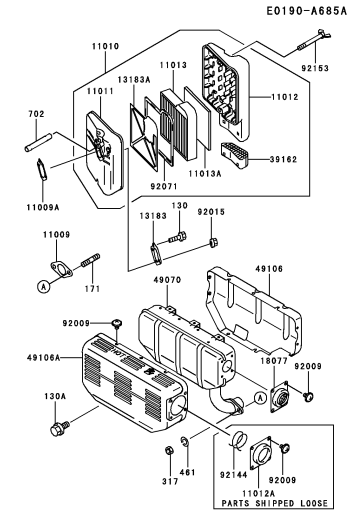
B-09

CONTROL-EQUIPMENT



B-10

CARBURETOR



B-11

AIR-FILTER/MUFFLER

This catalog covers:

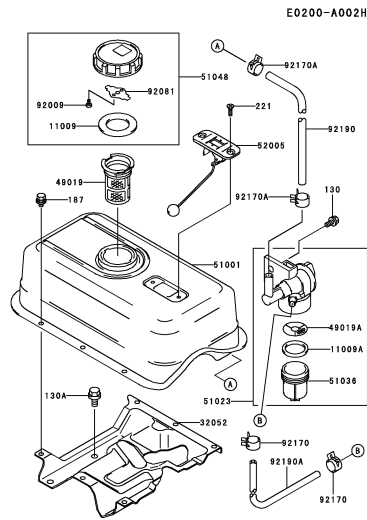
FE250D- □ S52

GRID NO.

C-01

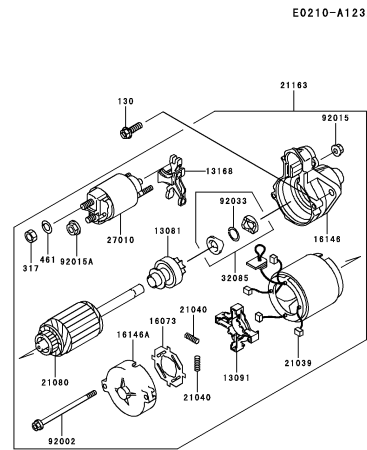
This grid covers:

PICTORIAL INDEX



C-03

FUEL-TANK/FUEL-VALVE



C-04

STARTER

This catalog covers:

FE250D- □ S52

GRID NO.

D-01

This grid covers:

PICTORIAL INDEX

F0290-B096A

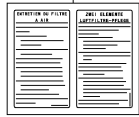
56031A



56031



56031B



56070



56080



D-03

LABEL

This catalog covers:

FE250D- □ S52

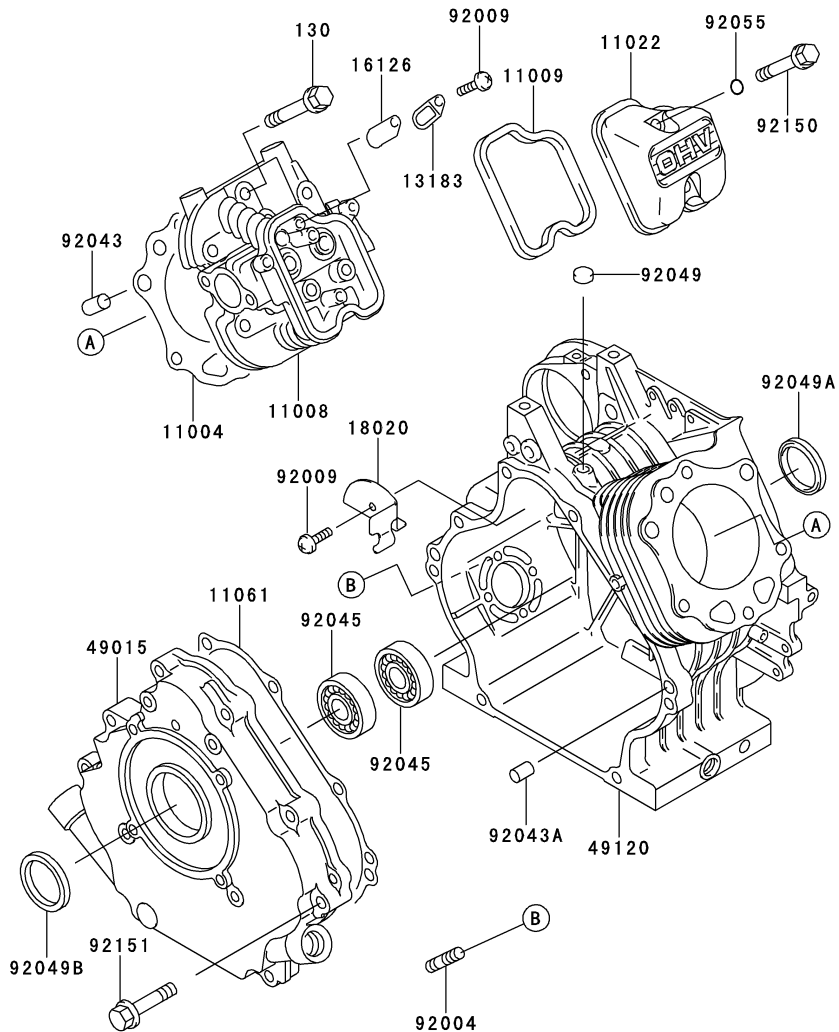
GRID NO.

B-03

This grid covers:

CYLINDER/CRANKCASE

E0110-A448A



Ref. No.	Part No.	Description	Quantity
			A
11004	11004-2106	GASKET-HEAD	1
11008	11008-2086	HEAD-COMP-CYLINDER	1
11009	11009-2923	GASKET,ROCKER CASE	1
11022	11022-6002	CASE-ROCKER	1
11061	11061-2069	GASKET	1
13183	13183-2299	PLATE	1
16126	16126-2107	VALVE	1
18020	18020-2073	BAFFLE	1
49015	49015-6237	COVER-CRANKCASE	1
49120	49120-2309	CRANKCASE-COMP	1
92004	92004-2083	STUD,6X14	4
92009	92009-2308	SCREW	2
92043	92043-1037	PIN	2
92043A	92043-1263	PIN	2
92045	92045-2188	BEARING-BALL,6206CM	2
92049	92049-2097	SEAL-OIL	1
92049A	92049-2199	SEAL-OIL	1
92049B	92049-2220	SEAL-OIL	1
92055	92055-1343	RING-O	2
92150	92150-2145	BOLT,6X35	2
92151	92151-2130	BOLT,8X40	8
130	130T0845	BOLT-FLANGED	6

This catalog covers:

FE250D- □ S52

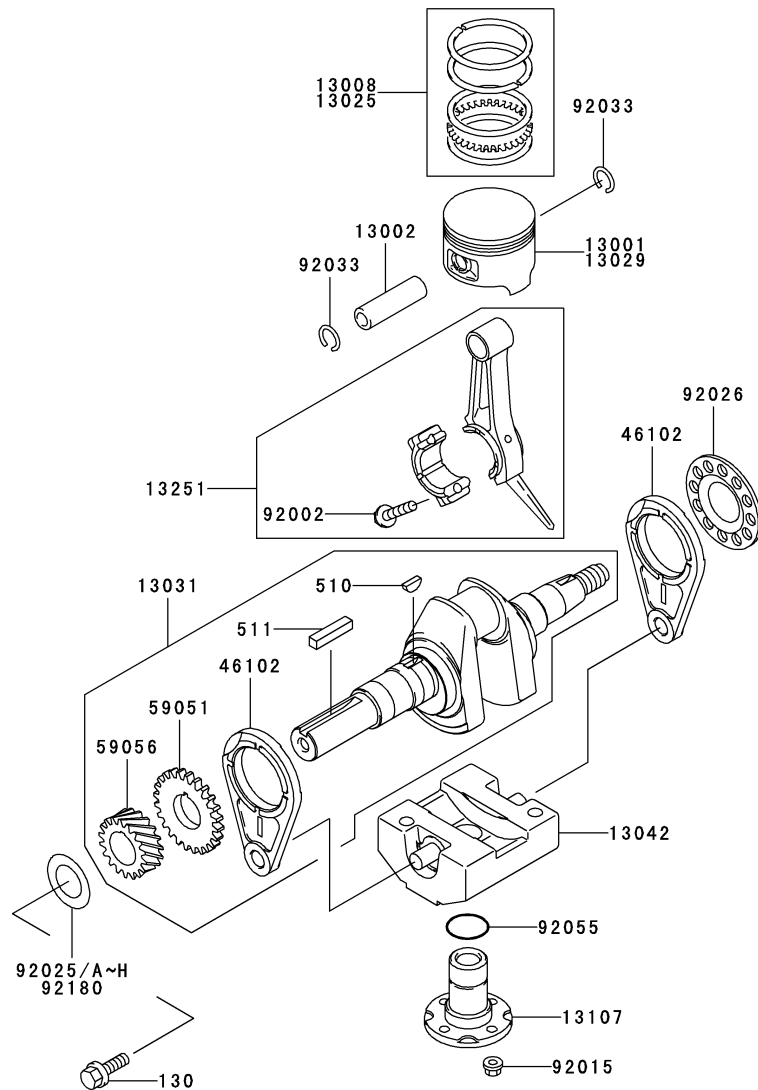
GRID NO.

B-04

This grid covers:

PISTON/CRANKSHAFT

E0120-A244A



Ref. No.	Part No.	Description	Quantity
13001	13001-2128	PISTON-ENGINE	1
13002	13002-2077	PIN-PISTON	1
13008	13008-2055	RING-SET-PISTON	1
13025	13025-2097	RING-SET-PISTON L,0.5	AR
13029	13029-2117	PISTON-ENGINE L,0.5	AR
13031	13031-2056	CRANKSHAFT-COMP	1
13042	13042-6012	WEIGHT	1
13107	13107-2088	SHAFT	1
13251	13251-6038	ROD-ASSY-CONNECTING	1
46102	46102-2075	ROD	2
59051	59051-2097	GEAR-SPUR	1
59056	59056-2995	GEAR-HELICAL	1
92002	92002-2053	BOLT	2
92015	92015-1193	NUT	4
92025	92025-2168	SHIM,T=1.13	AR
92025A	92025-2169	SHIM,T=1.18	AR
92025B	92025-2170	SHIM,T=1.23	AR
92025C	92025-2171	SHIM,T=1.28	AR
92025D	92025-2172	SHIM,T=1.33	AR
92025E	92025-2173	SHIM,T=1.38	AR
92025F	92025-2174	SHIM,T=1.43	AR
92025G	92025-2175	SHIM,T=1.48	AR
92025H	92025-2207	SHIM,T=1.53	AR
92026	92026-2052	SPACER	1
92033	92033-1099	RING-SNAP	2
92055	92055-2072	RING-O	1
92180	92180-2027	SHIM	AR
130	130G0825	BOLT-FLANGED	1
510	510A5100	KEY-WOODRUFF	1
511	511A0735	KEY-SUNK	1

This catalog covers:

FE250D- □ S52

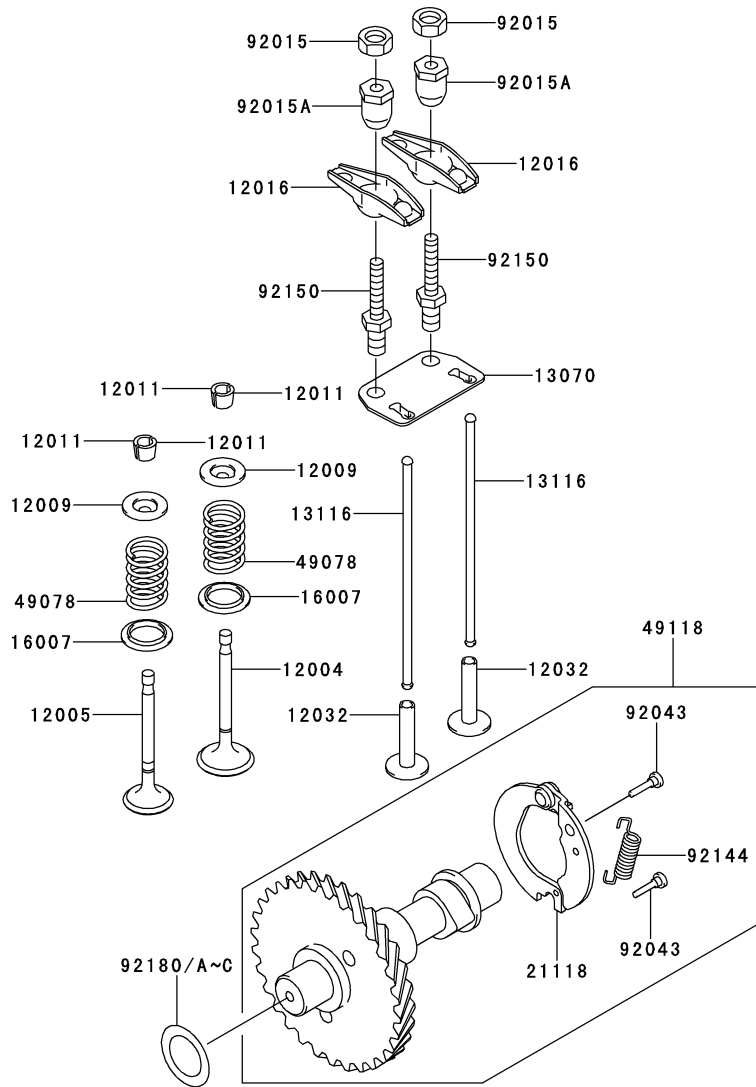
GRID NO.

B-05

This grid covers:

VALVE/CAMSHAFT

E0130-A011F



Ref. No.	Part No.	Description	Quantity
			A
12004	12004-2093	VALVE-INTAKE	1
12005	12005-2081	VALVE-EXHAUST	1
12009	12009-2066	RETAINER-VALVE SPRING	2
12011	12011-2056	COLLET	4
12016	12016-2060	ARM-ROCKER	2
12032	12032-2060	TAPPET	2
13070	13070-2086	GUIDE	1
13116	13116-2071	ROD-PUSH	2
16007	16007-2072	SEAT-SPRING	2
21118	21118-2087	DECOMPRESSOR	1
49078	49078-2067	SPRING-ENGINE VALVE	2
49118	49118-2108	CAMSHAFT-COMP	1
92015	92015-2240	NUT	2
92015A	92015-2253	NUT	2
92043	92043-2113	PIN	2
92144	92144-2323	SPRING	1
92150	92150-2198	BOLT	2
92180	92180-2010	SHIM,T=0.3	AR
92180A	92180-2011	SHIM,T=0.4	AR
92180B	92180-2012	SHIM,T=0.5	AR
92180C	92180-2062	SHIM,T=0.2	AR

This catalog covers:

FE250D- S52

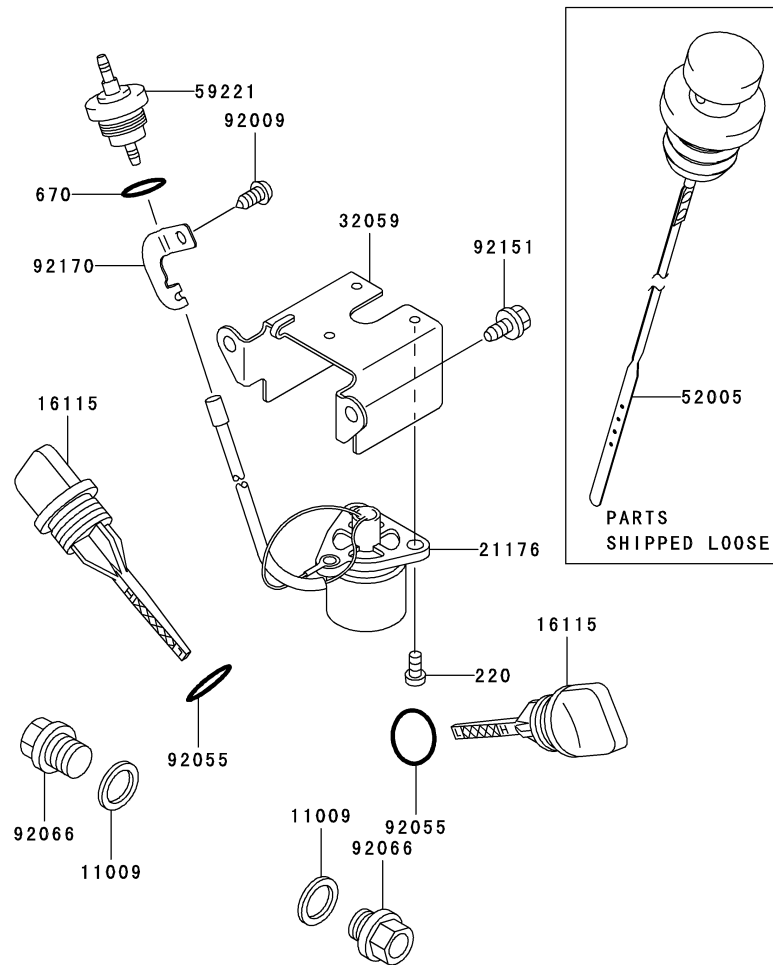
GRID NO.

B-06

This grid covers:

LUBRICATION-EQUIPMENT

E0140-A285A



Ref. No.	Part No.	Description	Quantity
11009	11009-2175	GASKET,14.2X19X2	2
16115	16115-2079	CAP-OIL FILLER	2
21176	21176-2091	SENSOR	1
32059	32059-2089	BRACKET-SWITCH	1
52005	52005-2112	GAUGE	1
59221	59221-2123	CONNECTOR-CORD	1
92009	92009-2308	SCREW	1
92055	92055-2185	RING-O,20MM	2
92066	92066-2203	PLUG,DRAIN	2
92151	92151-2166	BOLT	2
92170	92170-2052	CLAMP	1
220	220B0408	SCREW-PAN-CROS	3
670	670B2015	RING-O	1

This catalog covers:

FE250D- **S52**

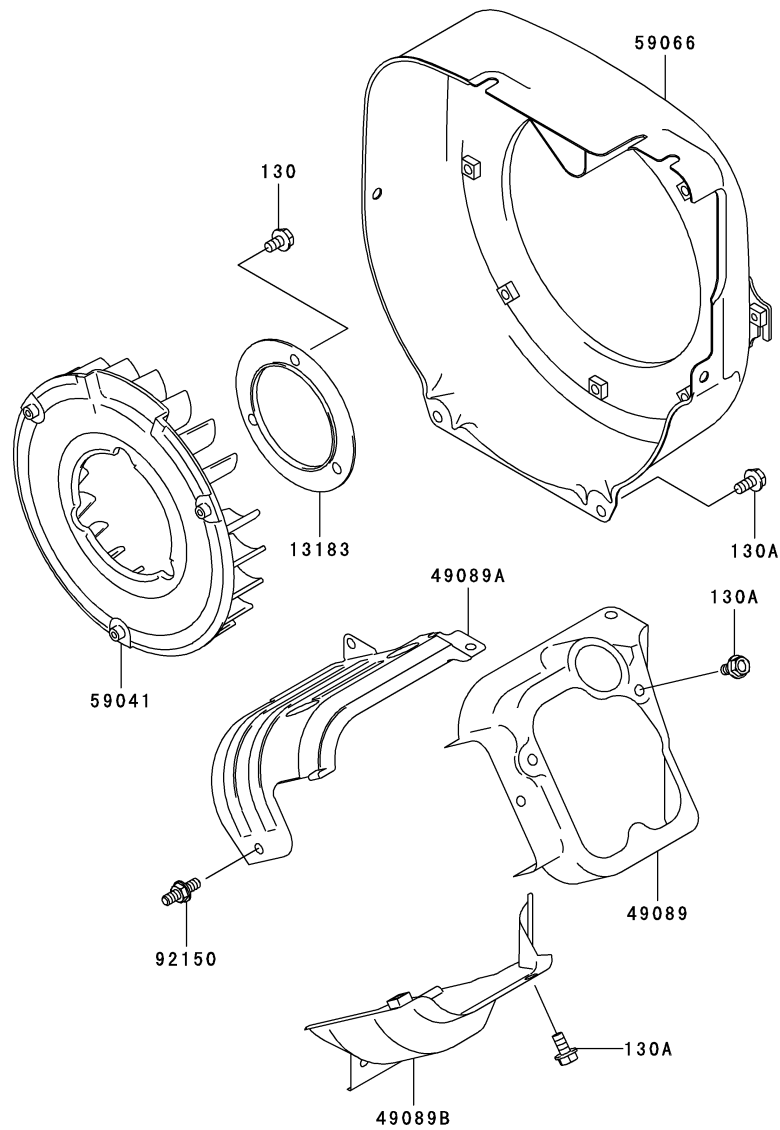
GRID NO.

B-07

This grid covers:

COOLING-EQUIPMENT

E0150-A016A



Ref. No.	Part No.	Description	Quantity
		A	
13183	13183-2407	PLATE	1
49089	49089-2327-9H	SHROUD-ENGINE	1
49089A	49089-2328-9H	SHROUD-ENGINE	1
49089B	49089-2344-9H	SHROUD-ENGINE	1
59041	59041-2072	FAN	1
59066	59066-2586-9H	HOUSING-FAN	1
92150	92150-2197	BOLT	1
130	130G0610	BOLT-FLANGED	3
130A	130G0612	BOLT-FLANGED	12

This catalog covers:

FE250D- □ S52

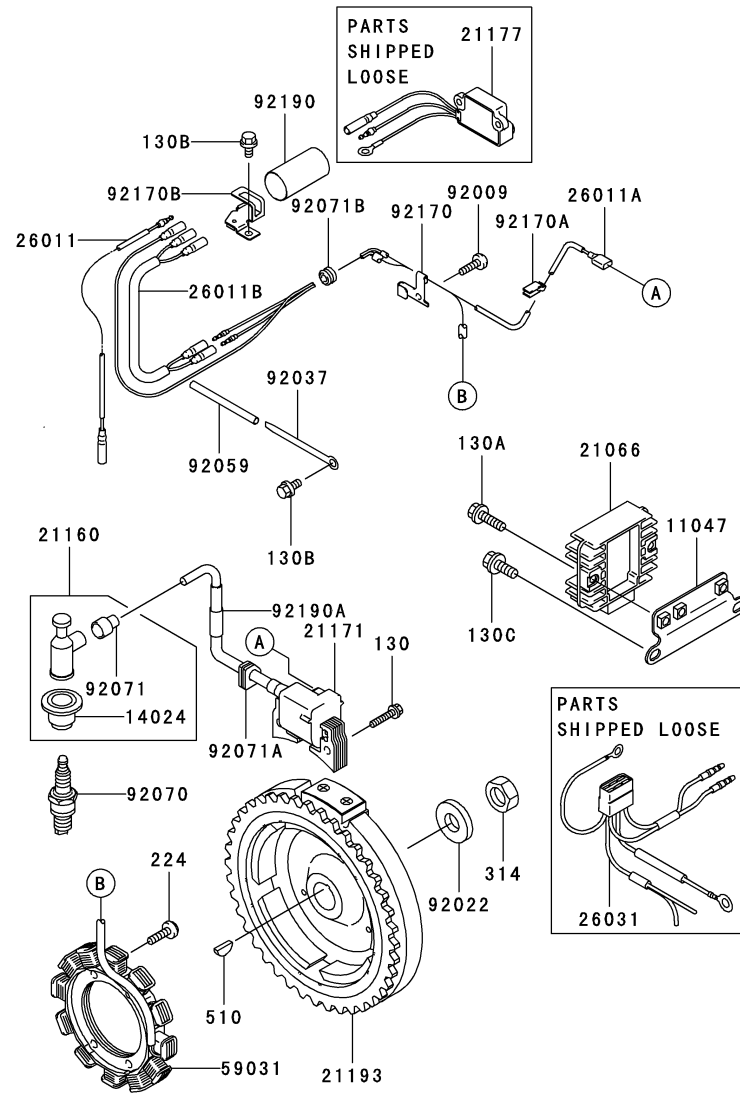
GRID NO.

B-08

This grid covers:

ELECTRIC-EQUIPMENT

E0160-A920A



Ref. No.	Part No.	Description	Quantity
11047	11047-2127	BRACKET	1
14024	14024-2234	COVER	1
21066	21066-2070	REGULATOR-VOLTAGE	1
21160	21160-2051	CAP-ASSY-PLUG	1
21171	21171-2206	COIL-ASSY-IGNITION	1
21177	21177-2062	CONTROLLER	1
21193	21193-2122	FLYWHEEL-ASSY	1
26011	26011-2243	WIRE-LEAD	1
26011A	26011-2359	WIRE-LEAD	1
26011B	26011-2378	WIRE-LEAD	1
26031	26031-2066	HARNESS	1
59031	59031-2088	COIL-CHARGING	1
92009	92009-2308	SCREW	1
92022	92022-2205	WASHER	1
92037	92037-2006	CLAMP	1
92059	92059-2011	TUBE,5X6X75	1
92070	92070-2077	PLUG-SPARK,BPR5ES(NGK),SOLID	1
92071	92071-2008	GROMMET	1
92071A	92071-2112	GROMMET	1
92071B	92071-2125	GROMMET	1
92170	92170-2016	CLAMP	1
92170A	92170-2017	CLAMP	1
92170B	92170-2051	CLAMP	1
92190	92190-2052	TUBE,25X26X50	1
92190A	92190-2069	TUBE,7.5X10X35	1
130	130B0525	BOLT-FLANGED	2
130A	130B0625	BOLT-FLANGED	2
130B	130G0612	BOLT-FLANGED	2
130C	130G0816	BOLT-FLANGED	2
224	224B0620	SCREW-PAN-WP-CROS	4
314	314G1600	NUT-HEX-FINE	1
510	510A5100	KEY-WOODRUFF	1

This catalog covers:

FE250D- □ S52

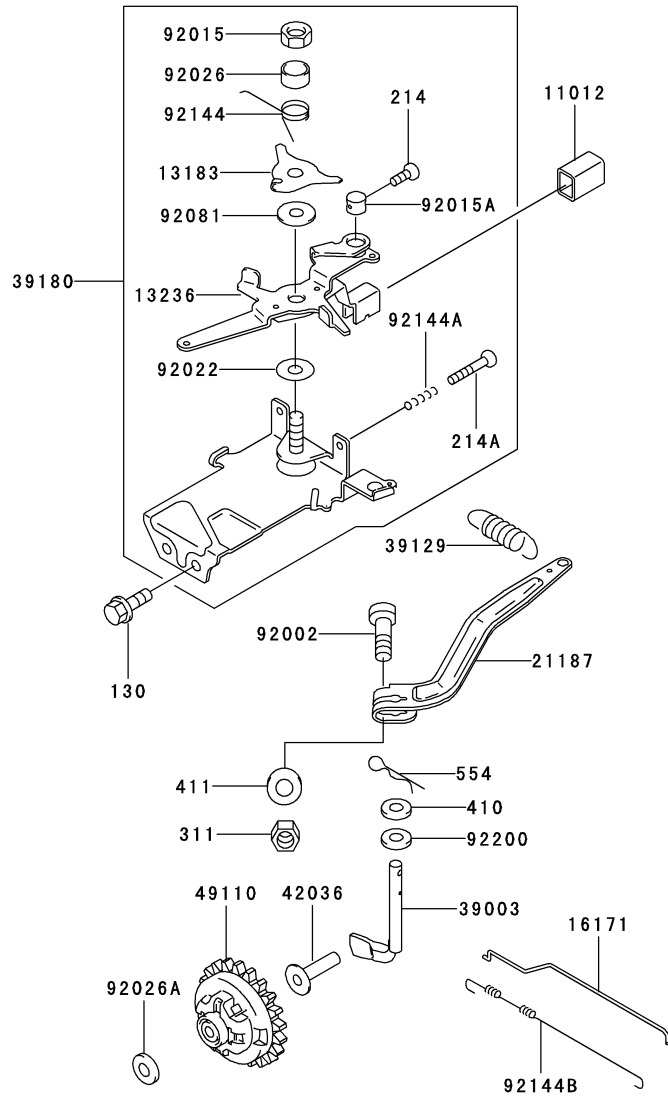
GRID NO.

B-09

This grid covers:

CONTROL-EQUIPMENT

E0170-A323B



Ref. No.	Part No.	Description	Quantity
11012	11012-2282	CAP	1
13183	13183-2343	PLATE	1
13236	13236-2116	LEVER-COMP	1
16171	16171-2063	LINK	1
21187	21187-2061	ARM-ASSY	1
39003	39003-2076	ARM-PIVOT	1
39129	39129-2113	SPRING-GOVERNOR	1
39180	39180-2643	PANEL-ASSY-CONTROL	1
42036	42036-2060	SLEEVE	1
49110	49110-2069	GOVERNOR-ASSY	1
92002	92002-2269	BOLT	1
92015	92015-2051	NUT	1
92015A	92015-2120	NUT	1
92022	92022-2103	WASHER	1
92026	92026-2304	SPACER	1
92026A	92200-2036	SPACER	1
92081	92081-2104	SPRING	1
92144	92144-2257	SPRING	1
92144A	92144-2266	SPRING	2
92144B	92144-2279	SPRING	1
92200	92200-2029	WASHER,6.5X11.5X2.0	1
130	130G0612	BOLT-FLANGED	2
214	214B0408	SCREW-PAN+	1
214A	214B0422	SCREW-PAN+	2
311	311B0600	NUT-HEX	1
410	410B0600	W-PLAIN-S	1
411	411B0600	WASHER-PLAIN	1
554	554A0600	PIN-SNAP	1

This catalog covers:

FE250D- □ S52

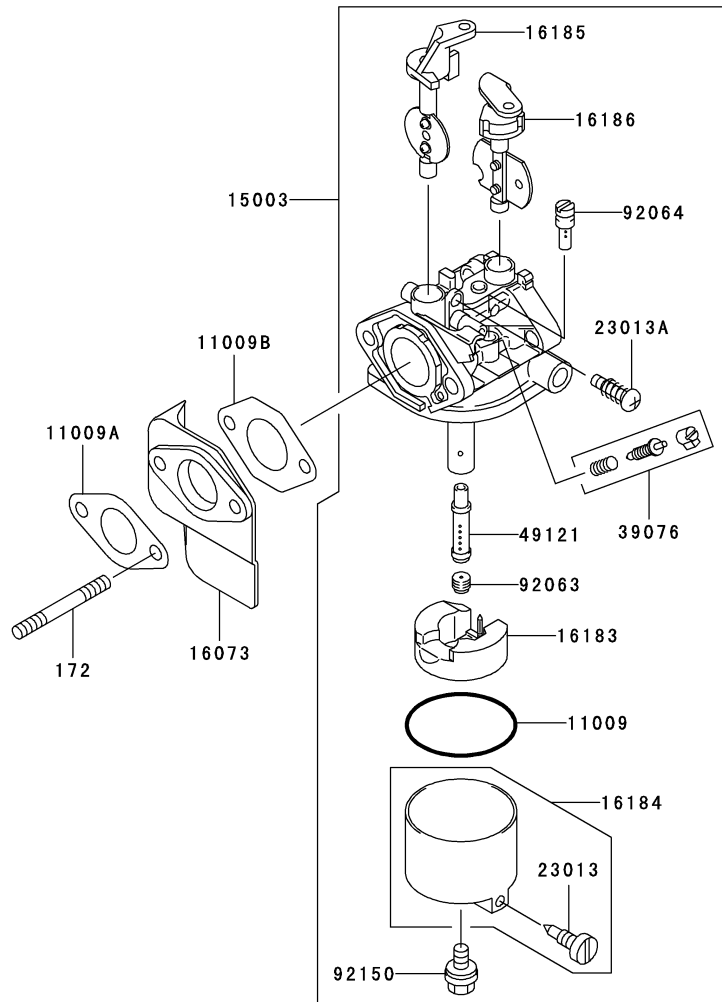
GRID NO.

B-10

This grid covers:

CARBURETOR

E0180-A202A



Ref. No.	Part No.	Description	Quantity
11009	11009-2919	GASKET	1
11009A	11009-2927	GASKET,INSULATOR	1
11009B	11009-2928	GASKET,CARBURETOR	1
15003	15003-2646	CARBURETOR-ASSY	1
16073	16073-2150	INSULATOR	1
16183	16183-2005	FLOAT-ASSY	1
16184	16184-2002	CHAMBER-ASSY-FLOAT	1
16185	16185-2003	VALVE-ASSY-THROTTLE	1
16186	16186-2002	VALVE-ASSY-CHOKE	1
23013	23013-2053	SCREW-ASSY	1
23013A	23013-2054	SCREW-ASSY	1
39076	39076-2055	LIMITER	1
49121	49121-2210	NOZZLE-MAIN	1
92063	92063-2284	JET-MAIN,#80	1
92064	92064-2086	JET-PILOT,#40	1
92150	92150-2209	BOLT	1
172	172G0677	BOLT-STUD	2

This catalog covers:

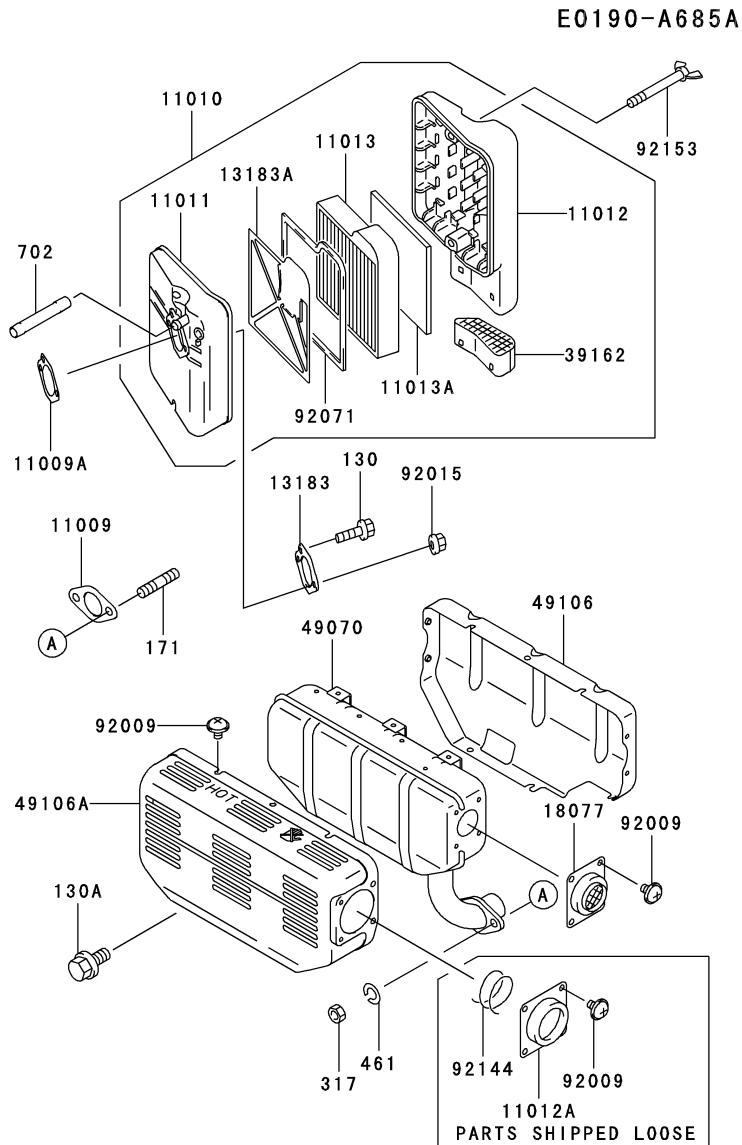
FE250D- □ S52

GRID NO.

B-11

This grid covers:

AIR-FILTER/MUFFLER



Ref. No.	Part No.	Description	Quantity
11009	11009-2487	GASKET,MUFFLER	1
11009A	11009-2925	GASKET,AIR FILTER	1
11010	11010-2404	FILTER-ASSY-AIR	1
11011	11011-2221	CASE-AIR FILTER	1
11012	11012-2276	CAP,AIR FILTER	1
11012A	11012-2297	CAP,SPARK ARRESTER	1
11013	11013-2128	ELEMENT-AIR FILTER	1
11013A	11013-2129	ELEMENT-AIR FILTER	1
13183	13183-2322	PLATE	1
13183A	13183-2388	PLATE,AIR FILTER	1
18077	18077-2094	ARRESTER-SPARK	1
39162	39162-2052	SILENCER-INTAKE	1
49070	49070-2546	MUFFLER-COMP	1
49106	49106-2485	COVER-MUFFLER	1
49106A	49106-2547	COVER-MUFFLER	1
92009	92009-2322	SCREW	15
92015	92015-1193	NUT	2
92071	92071-2136	GROMMET	1
92144	92144-2262	SPRING	1
92153	92153-2084	BOLT,6X50	2
130	130B0618	BOLT-FLANGED	1
130A	130G0816	BOLT-FLANGED	1
171	171G0820	BOLT-STUD	2
317	317R0800	NUT-HEX-SMALL	2
461	461F0800	WASHER-SPRING	2
702	702A081000	TUBE-RUBBER	1

This catalog covers:

FE250D- **S52**

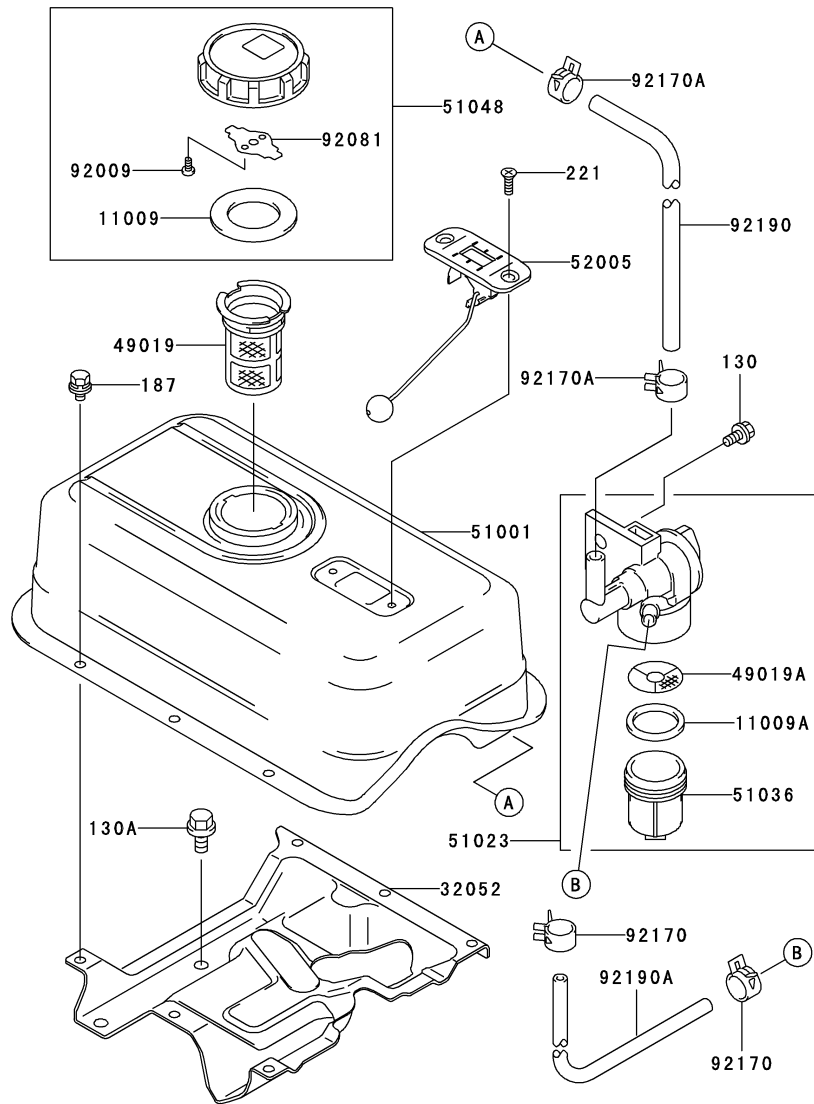
GRID NO.

C-03

This grid covers:

FUEL-TANK/FUEL-VALVE

E0200-A002H



Ref. No.	Part No.	Description	Quantity
11009	11009-2115	GASKET	1
11009A	11009-2876	GASKET,FUEL TAP	1
32052	32052-2201-9H	BRACKET-TANK	1
49019	49019-2051	FILTER-FUEL	1
49019A	49019-2095	FILTER-FUEL	1
51001	51001-2241-9H	TANK-COMP-FUEL	1
51023	51023-2148	TAP-ASSY	1
51036	51036-2071	CUP,FUEL TAP	1
51048	51048-2055	CAP-ASSY-TANK	1
52005	52005-2100	GAUGE	1
92009	92009-2021	SCREW	2
92081	92081-2036	SPRING	1
92170	92170-2042	CLAMP	2
92170A	92170-2082	CLAMP	2
92190	92190-2073	TUBE,7X12X205	1
92190A	92190-2118	TUBE,6X10X120	1
130	130G0612	BOLT-FLANGED	1
130A	130G0816	BOLT-FLANGED	4
187	187L0612	BOLT-UPSET-WSP	6
221	221F0512	SCREW-CSK-CROSS	2

This catalog covers:

FE250D- □ S52

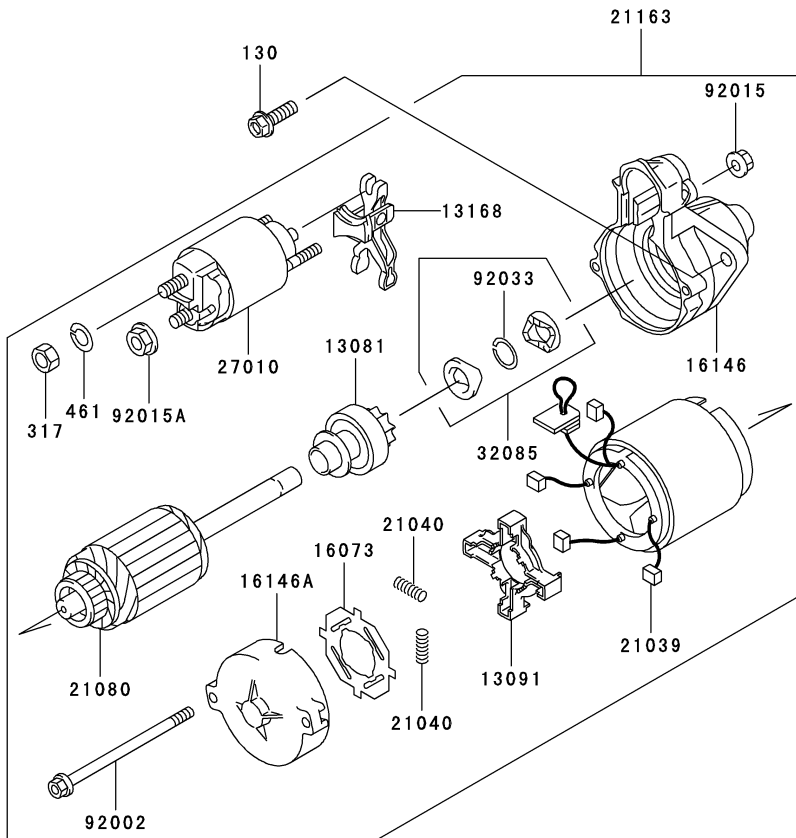
GRID NO.

C-04

This grid covers:

STARTER

E0210-A123A



Ref. No.	Part No.	Description	Quantity
13081	13081-2108	CLUTCH-ASSY	1
13091	13091-2068	HOLDER,BRUSH	1
13168	13168-2148	LEVER,SHIFT	1
16073	16073-2098	INSULATOR	1
16146	16146-2163	COVER-ASSY,FR	1
16146A	16146-2164	COVER-ASSY,RR	1
21039	21039-2059	BRUSH	4
21040	21040-2052	SPRING-BRUSH	4
21080	21080-2054	ARMATURE	1
21163	21163-2089	STARTER-ELECTRIC	1
27010	27010-2122	SWITCH	1
32085	32085-2097	STOPPER	1
92002	92002-2277	BOLT	2
92015	92015-2146	NUT	2
92015A	92015-2147	NUT	1
92033	92033-2081	RING-SNAP	1
130	130G0825	BOLT-FLANGED	2
317	317B0800	NUT-HEX-SMALL	1
461	461F0800	WASHER-SPRING	1

This catalog covers:

FE250D- □ S52

GRID NO.

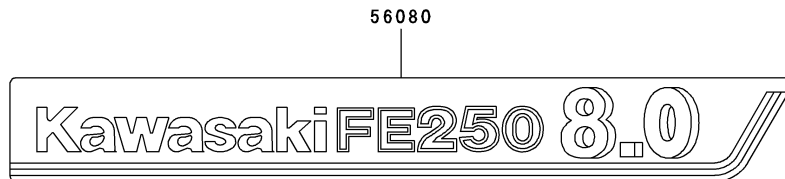
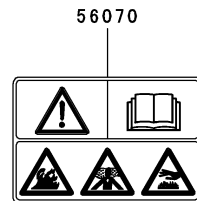
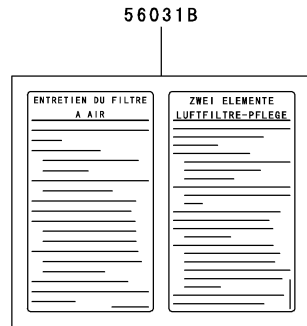
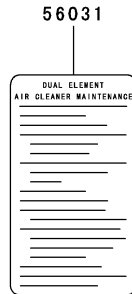
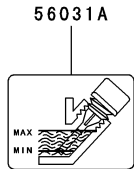
D-03

This grid covers:

LABEL

F0290-B096A

Ref. No.	Part No.	Description	Quantity
56031	56031-2387	LABEL-MANUAL	1
56031A	56031-2458	LABEL-MANUAL	1
56031B	56031-2461	LABEL-MANUAL	1
56070	56070-2021	LABEL-WARNING	1
56080	56080-2076	LABEL-BRAND	1



This catalog covers:

FE250D- **S52**

GRID NO.

This grid covers:

H-09

PART NAME INDEX

AIR-FILTER/MUFFLER.....	B-11
CARBURETOR.....	B-10
CONTROL-EQUIPMENT.....	B-09
COOLING-EQUIPMENT.....	B-07
CYLINDER/CRANKCASE.....	B-03
ELECTRIC-EQUIPMENT.....	B-08
FUEL-TANK/FUEL-VALVE.....	C-03
LABEL.....	D-03
LUBRICATION-EQUIPMENT.....	B-06
PISTON/CRANKSHAFT.....	B-04
STARTER.....	C-04
VALVE/CAMSHAFT.....	B-05

This catalog covers:

FE250D- **S52**

GRID NO.

H-10

This grid covers:

NUMERICAL PARTS INDEX

Part No.	Grid No.	Part No.	Grid No.	Part No.	Grid No.	Part No.	Grid No.	Part No.	Grid No.
11004-2106.....	B-03	13251-6038.....	B-04	461F0800.....	B-11	92025-2170.....	B-04	92200-2029.....	B-09
11008-2086.....	B-03	14024-2234.....	B-08	461F0800.....	C-04	92025-2171.....	B-04	92200-2036.....	B-09
11009-2115.....	C-03	15003-2646.....	B-10	49015-6237.....	B-03	92025-2172.....	B-04		
11009-2175.....	B-06	16007-2072.....	B-05	49019-2051.....	C-03	92025-2173.....	B-04		
11009-2487.....	B-11	16073-2098.....	C-04	49019-2095.....	C-03	92025-2174.....	B-04		
11009-2876.....	C-03	16073-2150.....	B-10	49070-2546.....	B-11	92025-2175.....	B-04		
11009-2919.....	B-10	16115-2079.....	B-06	49078-2067.....	B-05	92025-2207.....	B-04		
11009-2923.....	B-03	16126-2107.....	B-03	49089-2327-9H.....	B-07	92026-2052.....	B-04		
11009-2925.....	B-11	16146-2163.....	C-04	49089-2328-9H.....	B-07	92026-2304.....	B-09		
11009-2927.....	B-10	16146-2164.....	C-04	49089-2344-9H.....	B-07	92033-1099.....	B-04		
11009-2928.....	B-10	16171-2063.....	B-09	49106-2485.....	B-11	92033-2081.....	C-04		
11010-2404.....	B-11	16183-2005.....	B-10	49106-2547.....	B-11	92037-2006.....	B-08		
11011-2221.....	B-11	16184-2002.....	B-10	49110-2069.....	B-09	92043-1037.....	B-03		
11012-2276.....	B-11	16185-2003.....	B-10	49118-2108.....	B-05	92043-1263.....	B-03		
11012-2282.....	B-09	16186-2002.....	B-10	49120-2309.....	B-03	92043-2113.....	B-05		
11012-2297.....	B-11	171G0820.....	B-11	49121-2210.....	B-10	92045-2188.....	B-03		
11013-2128.....	B-11	172G0677.....	B-10	51001-2241-9H.....	C-03	92049-2097.....	B-03		
11013-2129.....	B-11	18020-2073.....	B-03	51023-2148.....	C-03	92049-2199.....	B-03		
11022-6002.....	B-03	18077-2094.....	B-11	51036-2071.....	C-03	92049-2220.....	B-03		
11047-2127.....	B-08	187L0612.....	C-03	51048-2055.....	C-03	92055-1343.....	B-03		
11061-2069.....	B-03	21039-2059.....	C-04	510A5100.....	B-04	92055-2072.....	B-04		
12004-2093.....	B-05	21040-2052.....	C-04	510A5100.....	B-08	92055-2185.....	B-06		
12005-2081.....	B-05	21066-2070.....	B-08	511A0735.....	B-04	92059-2011.....	B-08		
12009-2066.....	B-05	21080-2054.....	C-04	52005-2100.....	C-03	92063-2284.....	B-10		
12011-2056.....	B-05	21118-2087.....	B-05	52005-2112.....	B-06	92064-2086.....	B-10		
12016-2060.....	B-05	21160-2051.....	B-08	554A0600.....	B-09	92066-2203.....	B-06		
12032-2060.....	B-05	21163-2089.....	C-04	56031-2387.....	D-03	92070-2077.....	B-08		
13001-2128.....	B-04	21171-2206.....	B-08	56031-2458.....	D-03	92071-2008.....	B-08		
13002-2077.....	B-04	21176-2091.....	B-06	56031-2461.....	D-03	92071-2112.....	B-08		
13008-2055.....	B-04	21177-2062.....	B-08	56070-2021.....	D-03	92071-2125.....	B-08		
13025-2097.....	B-04	21187-2061.....	B-09	56080-2076.....	D-03	92071-2136.....	B-11		
13029-2117.....	B-04	21193-2122.....	B-08	59031-2088.....	B-08	92081-2036.....	C-03		
13031-2056.....	B-04	214B0408.....	B-09	59041-2072.....	B-07	92081-2104.....	B-09		
13042-6012.....	B-04	214B0422.....	B-09	59051-2097.....	B-04	92144-2257.....	B-09		
13070-2086.....	B-05	220B0408.....	B-06	59056-2995.....	B-04	92144-2262.....	B-11		
13081-2108.....	C-04	221F0512.....	C-03	59066-2586-9H.....	B-07	92144-2266.....	B-09		
13091-2068.....	C-04	224B0620.....	B-08	59221-2123.....	B-06	92144-2279.....	B-09		
130B0525.....	B-08	23013-2053.....	B-10	670B2015.....	B-06	92144-2323.....	B-05		
130B0618.....	B-11	23013-2054.....	B-10	702A081000.....	B-11	92150-2145.....	B-03		
130B0625.....	B-08	26011-2243.....	B-08	92002-2053.....	B-04	92150-2197.....	B-07		
130G0610.....	B-07	26011-2359.....	B-08	92002-2269.....	B-09	92150-2198.....	B-05		
130G0612.....	B-07	26011-2378.....	B-08	92002-2277.....	C-04	92150-2209.....	B-10		
130G0612.....	B-08	26031-2066.....	B-08	92004-2083.....	B-03	92151-2130.....	B-03		
130G0612.....	B-09	27010-2122.....	C-04	92009-2021.....	C-03	92151-2166.....	B-06		
130G0612.....	C-03	311B0600.....	B-09	92009-2308.....	B-03	92153-2084.....	B-11		
130G0816.....	B-08	314G1600.....	B-08	92009-2308.....	B-06	92170-2016.....	B-08		
130G0816.....	B-11	317B0800.....	C-04	92009-2308.....	B-08	92170-2017.....	B-08		
130G0816.....	C-03	317R0800.....	B-11	92009-2322.....	B-11	92170-2042.....	C-03		
130G0825.....	B-04	32052-2201-9H.....	C-03	92015-1193.....	B-04	92170-2051.....	B-08		
130G0825.....	C-04	32059-2089.....	B-06	92015-1193.....	B-11	92170-2052.....	B-06		
130T0845.....	B-03	32085-2097.....	C-04	92015-2051.....	B-09	92170-2082.....	C-03		
13107-2088.....	B-04	39003-2076.....	B-09	92015-2120.....	B-09	92180-2010.....	B-05		
13116-2071.....	B-05	39076-2055.....	B-10	92015-2146.....	C-04	92180-2011.....	B-05		
13168-2148.....	C-04	39129-2113.....	B-09	92015-2147.....	C-04	92180-2012.....	B-05		
13183-2299.....	B-03	39162-2052.....	B-11	92015-2240.....	B-05	92180-2027.....	B-04		
13183-2322.....	B-11	39180-2643.....	B-09	92015-2253.....	B-05	92180-2062.....	B-05		
13183-2343.....	B-09	410B0600.....	B-09	92022-2103.....	B-09	92190-2052.....	B-08		
13183-2388.....	B-11	411B0600.....	B-09	92022-2205.....	B-08	92190-2069.....	B-08		
13183-2407.....	B-07	42036-2060.....	B-09	92025-2168.....	B-04	92190-2073.....	C-03		
13236-2116.....	B-09	46102-2075.....	B-04	92025-2169.....	B-04	92190-2118.....	C-03		